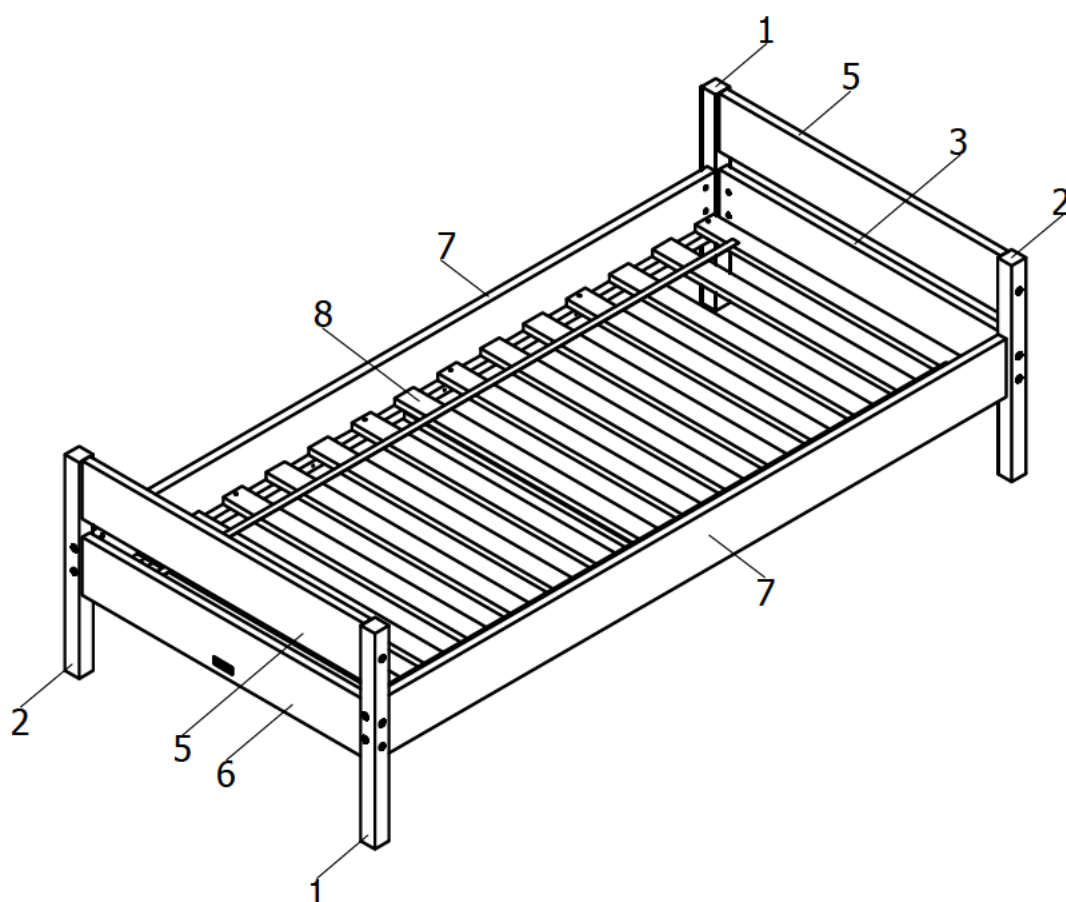


# bopita®

ASSEMBLY INSTRUCTION  
MONTAGE HANDLEIDING  
MONTAGE ANLEITUNG  
NOTICE DE MONTAGE  
MANUAL DE MONTAJE

UK  
NL  
D  
F  
ESP

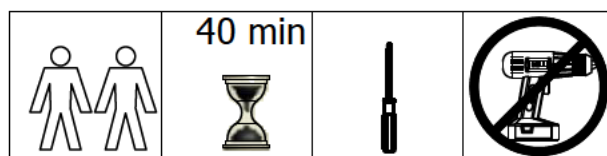
MODEL :LUCAS  
TYPE :BED 90X200  
COLOUR :MATT BLACK/NATURAL  
ART.CODE :154232.19











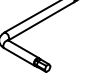
Distributor:

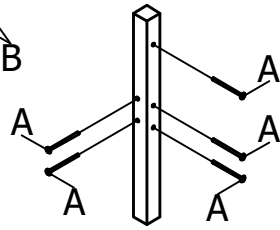
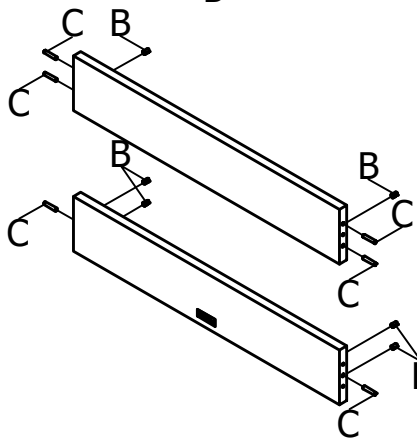
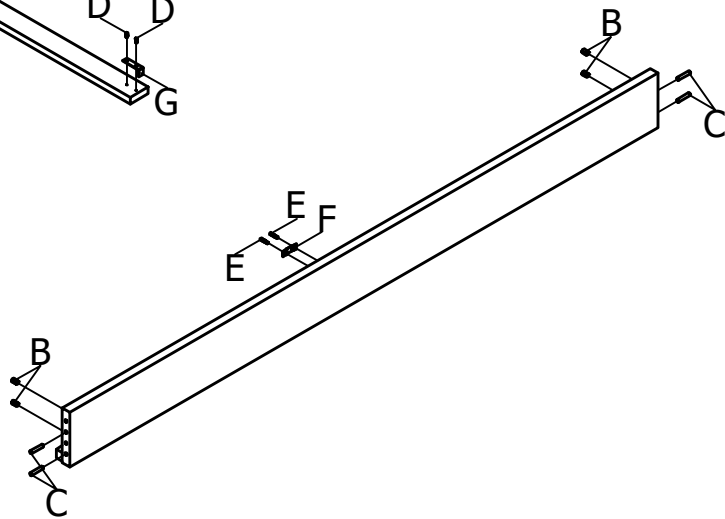
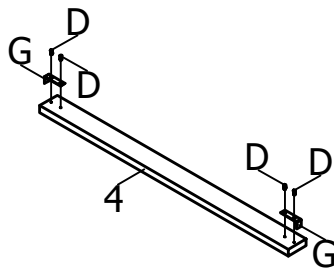
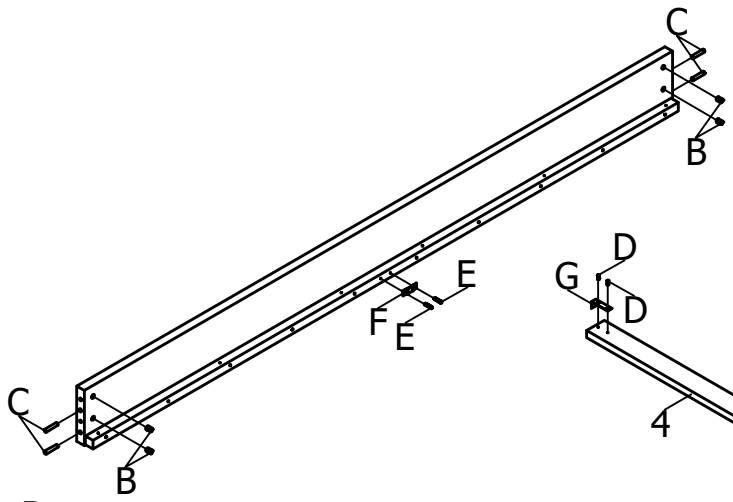
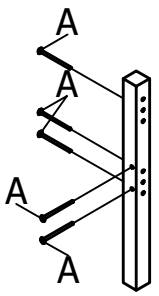
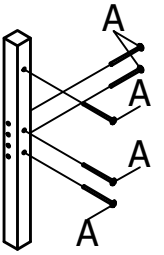
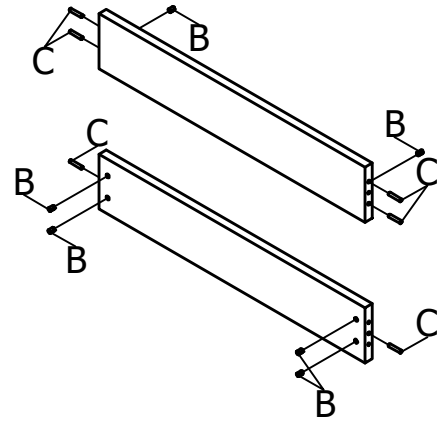
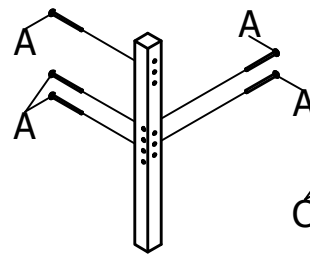
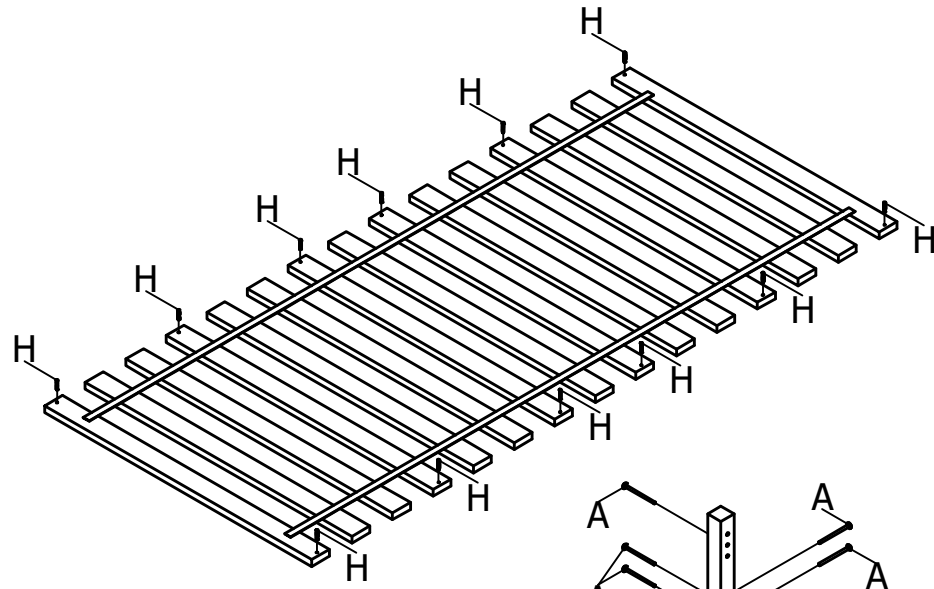
BOPITA  
Energieweg 1  
6662 NS Elst  
The Netherlands

[www.bopita.com](http://www.bopita.com)

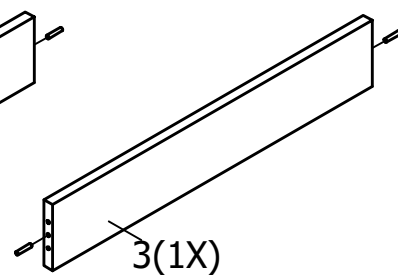
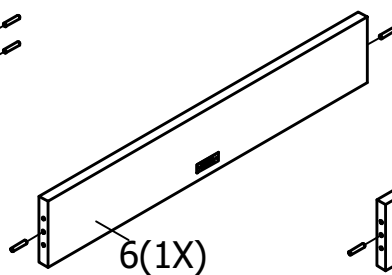
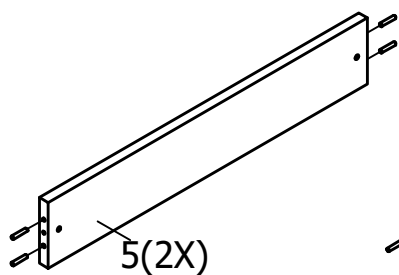
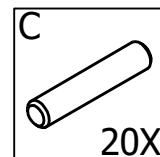
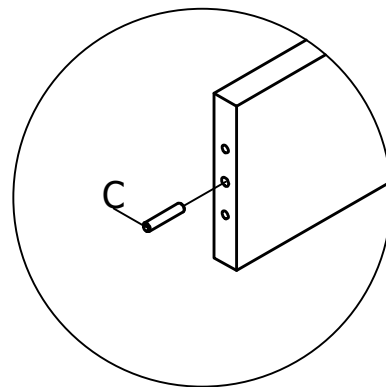
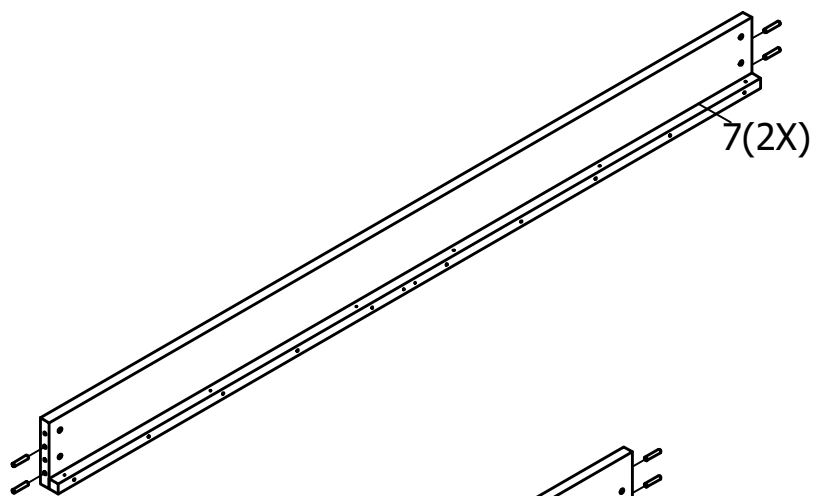


12.06.2023.

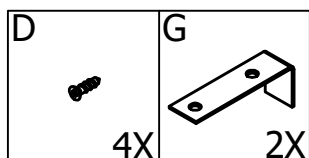
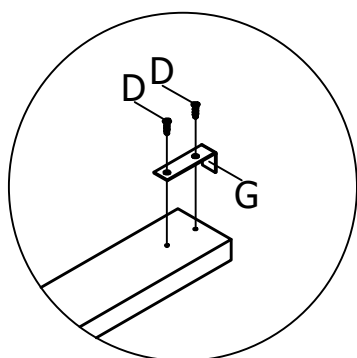
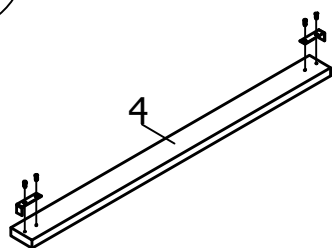
A		B		C		D		E	
M6X80	20X	M6	20X	Ø8X40	20X	3.5X16	4X	3.5X25	4X
F		G		H		I			
	2X		2X	3.5X35	12X	SW4	1X		



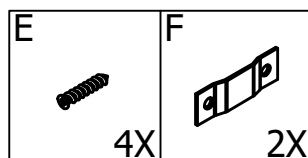
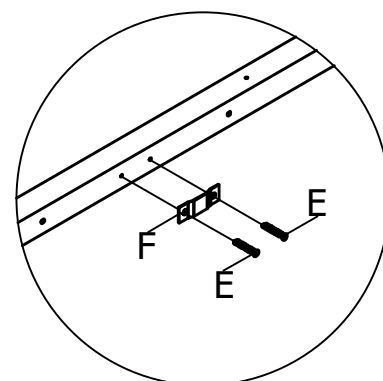
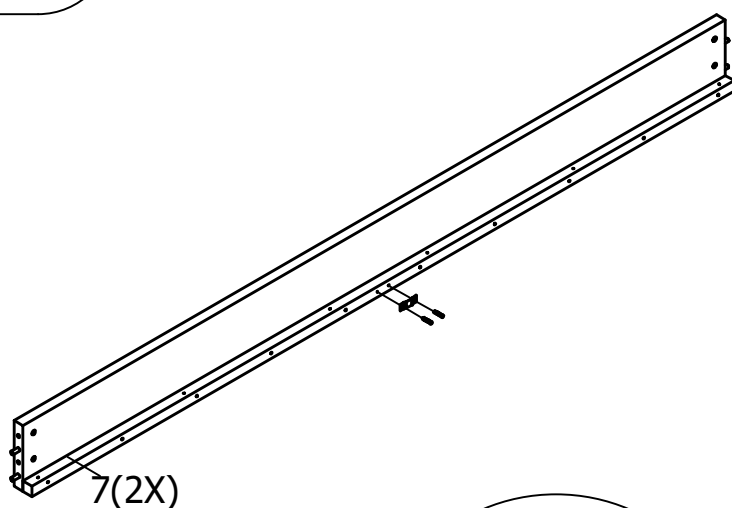
1



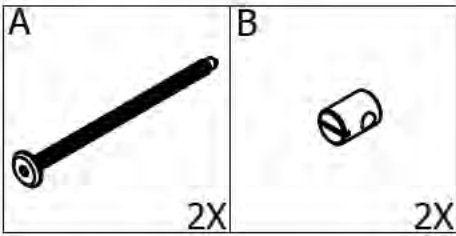
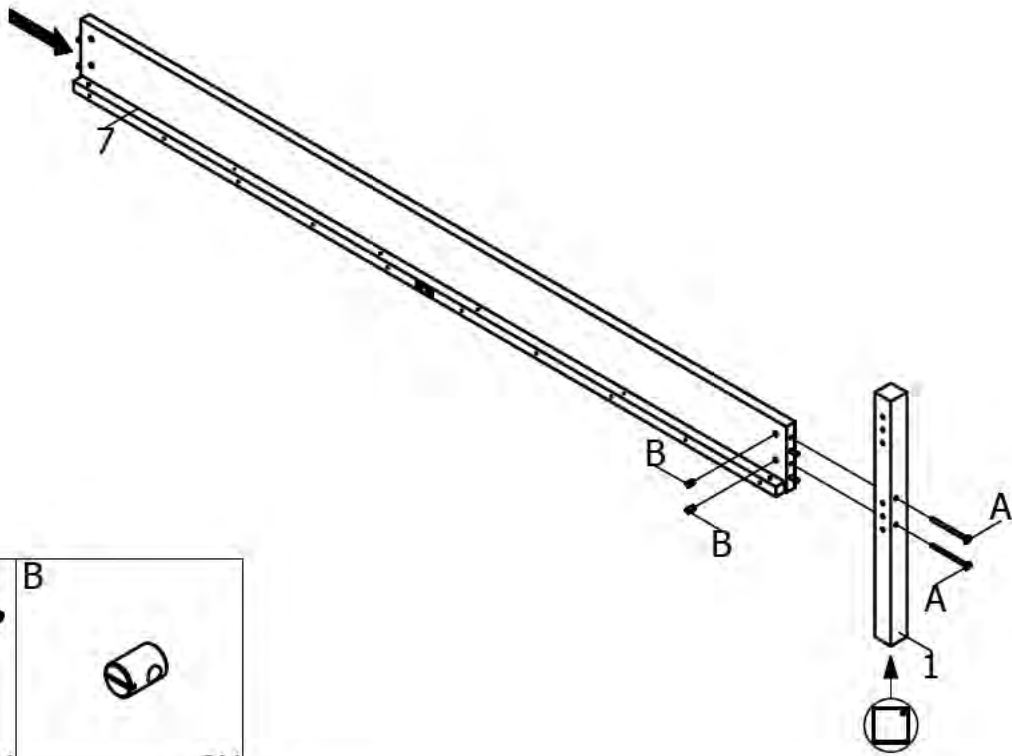
2



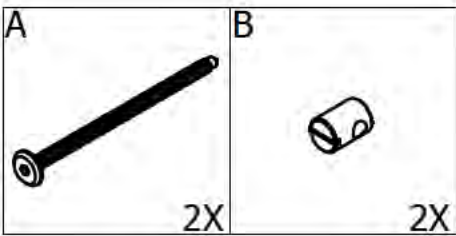
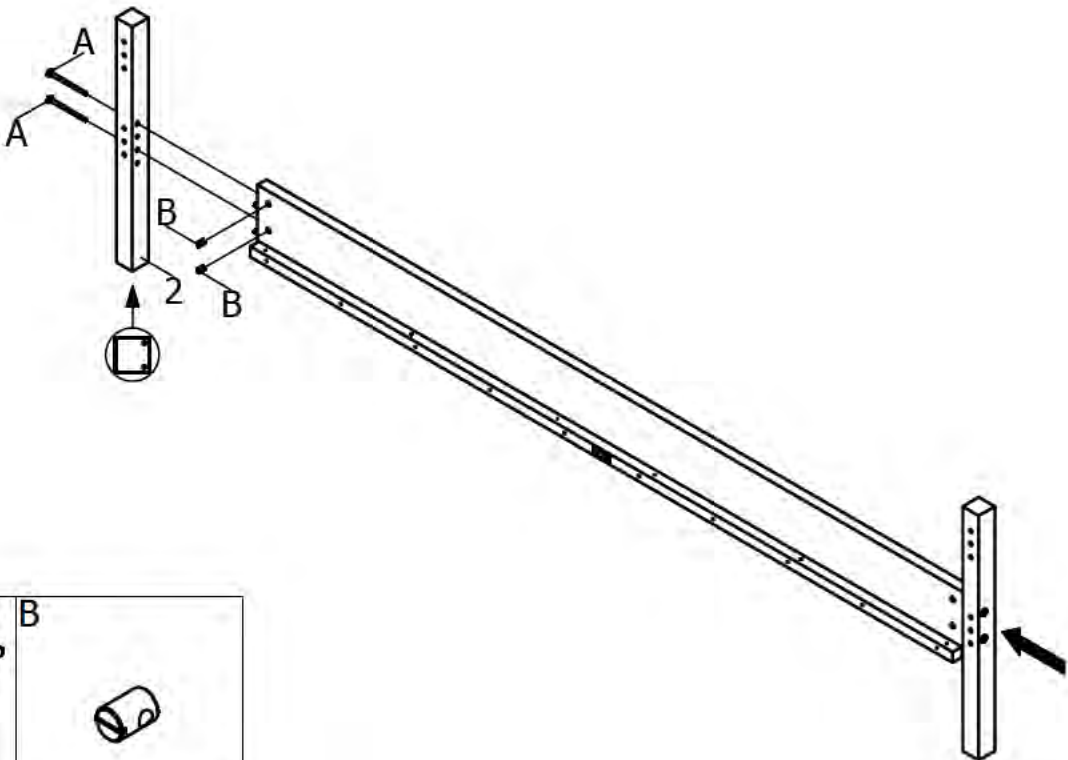
3



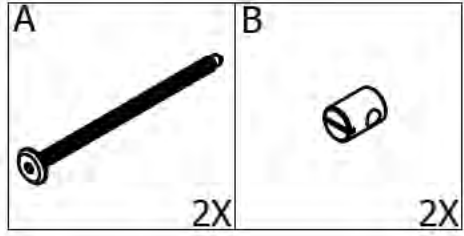
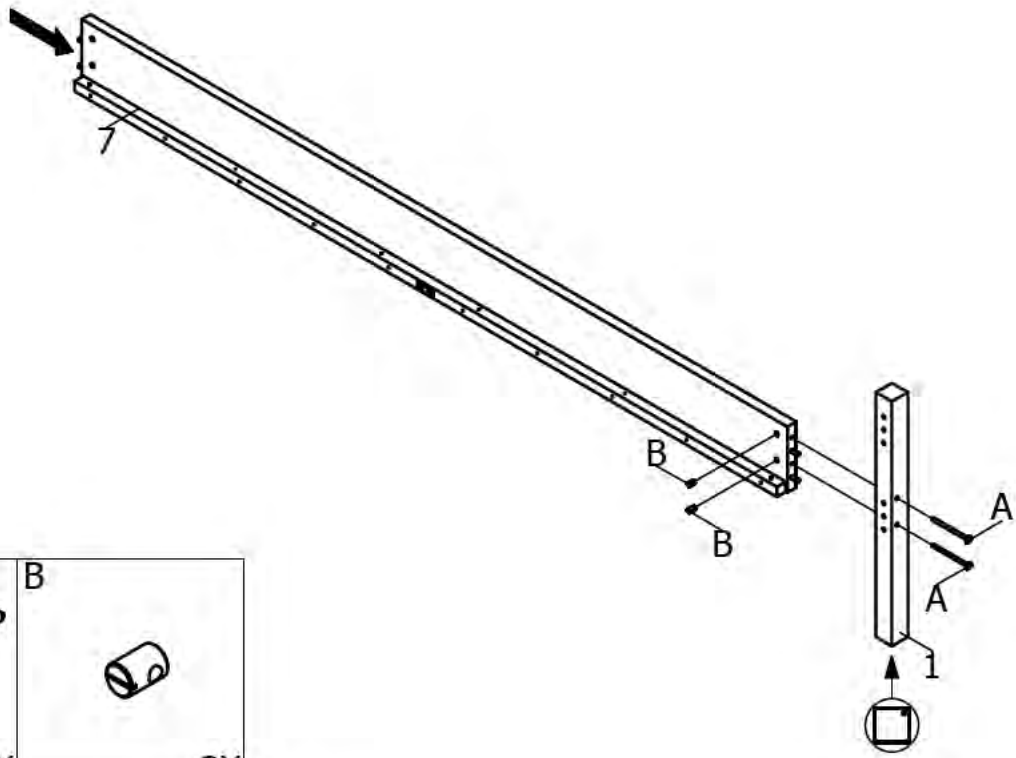
4



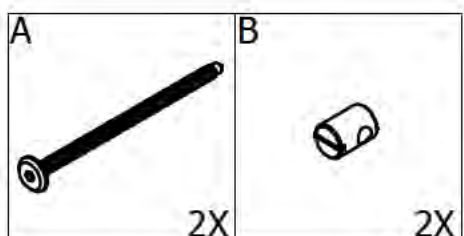
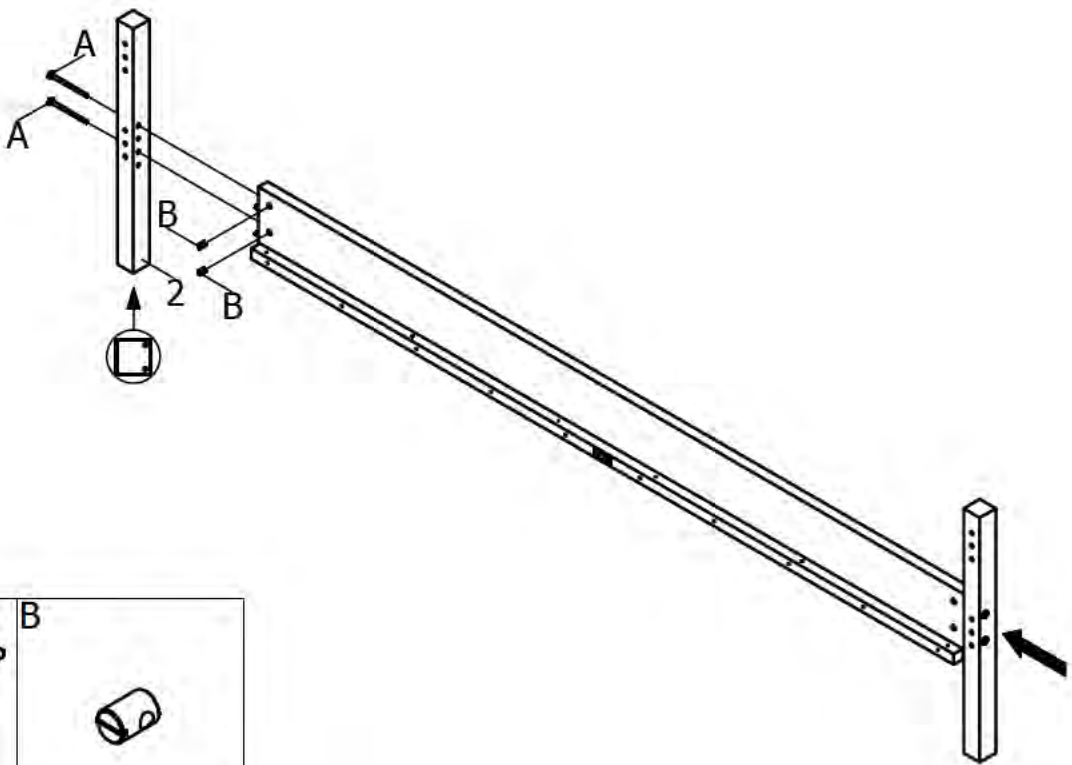
5



6

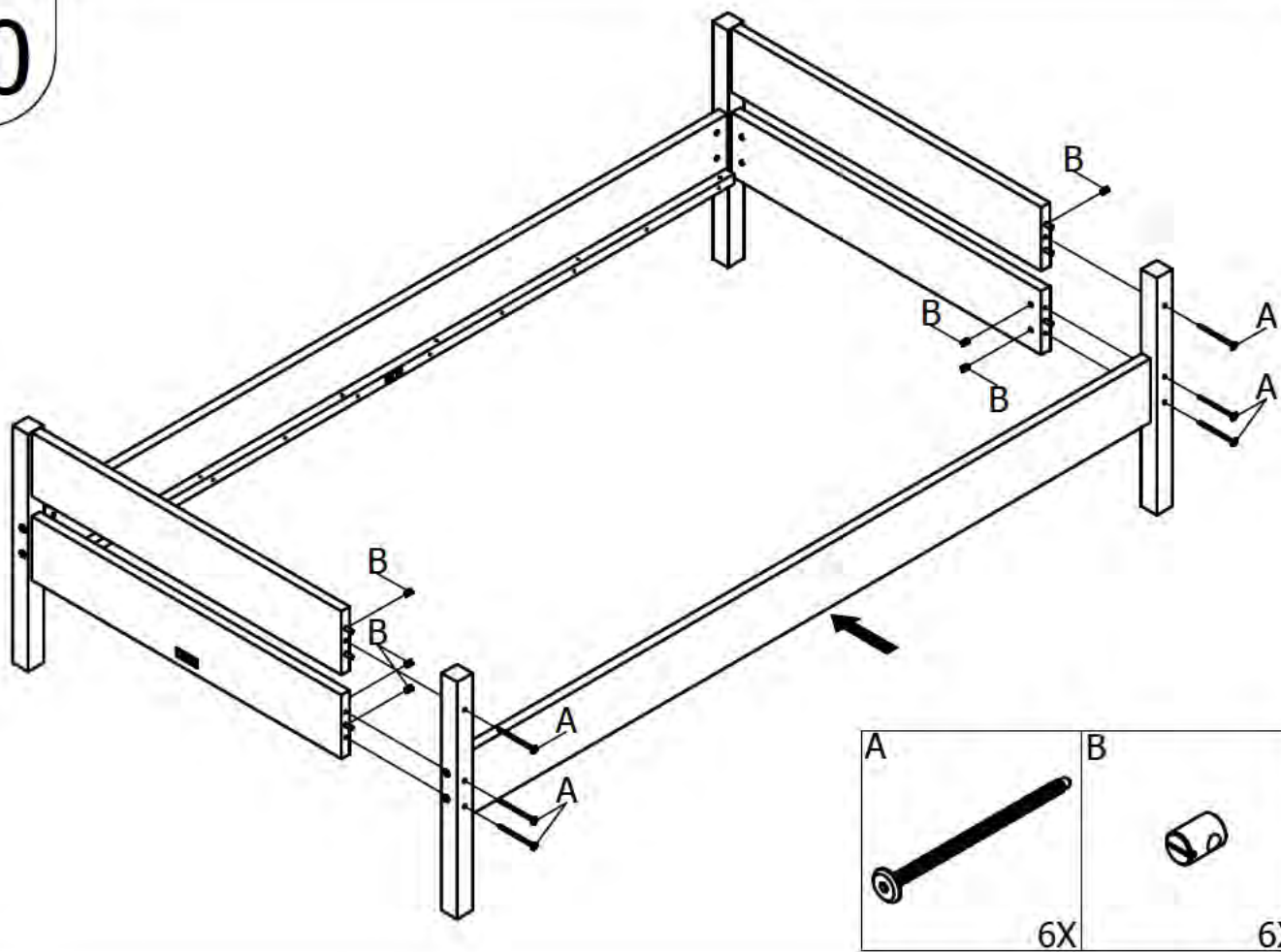


7

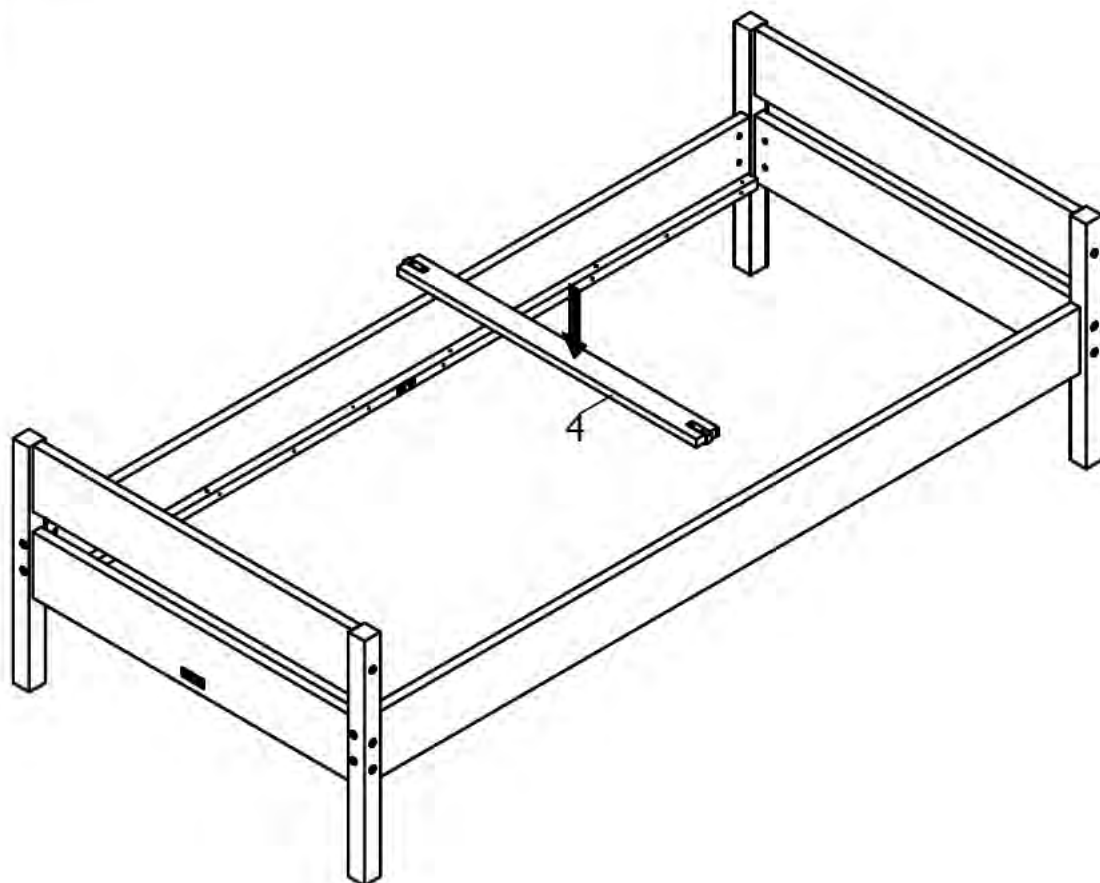




10



11



12

